

meteoroid

M A R I Z A G A L A N I

L I G H T G E O M E T R Y



# meteoroid

MG7839 / MG7843 / MG7847

## MOUNTING INSTRUCTIONS

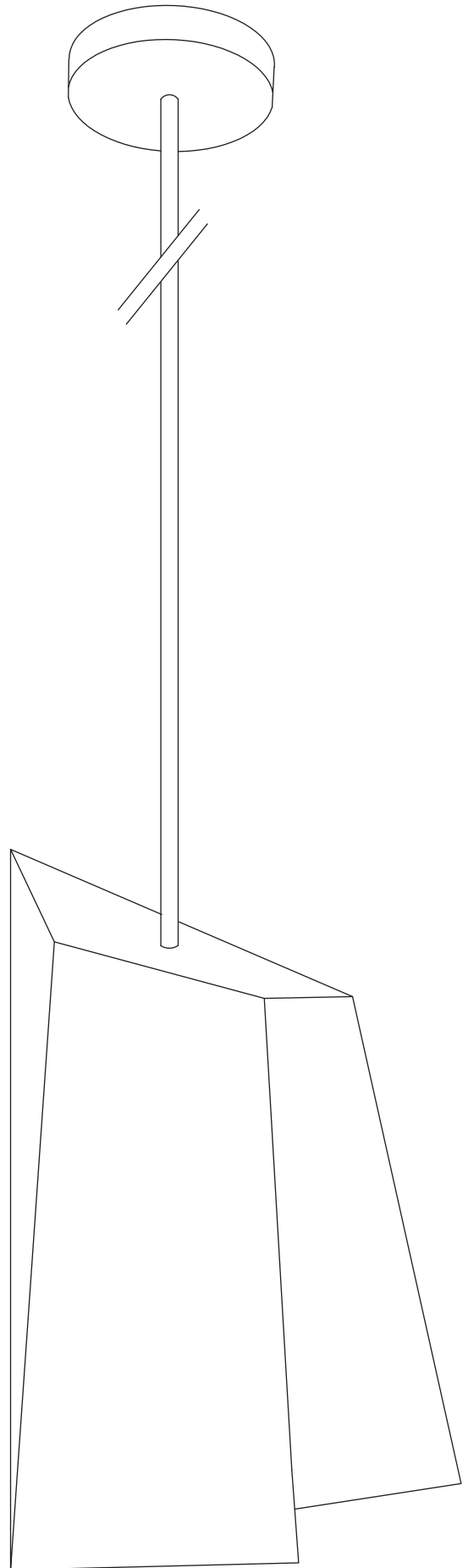
*Handcrafted in Greece*



A pendant geometric lighting element allowing light to emerge from small leaks and compose a starry night. Set up your own synthesis of Meteoroids by placing them in order and unveil your own harmony-cosmos. Although made of brass, these pendant geometric lights have sculptural folding pattern. Available in chrome, bronze gloss or bronze matt finish.

# meteoroid rod

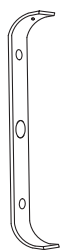
MG7839 / MG7843 / MG7847



meteoroid rod  
mounting instructions  
for 240V



# PARTS INCLUDED



1x



2x



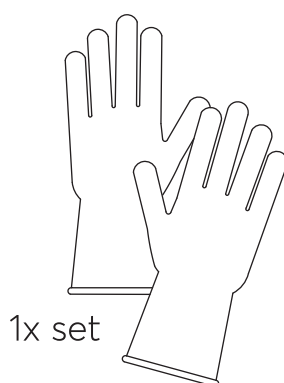
2x



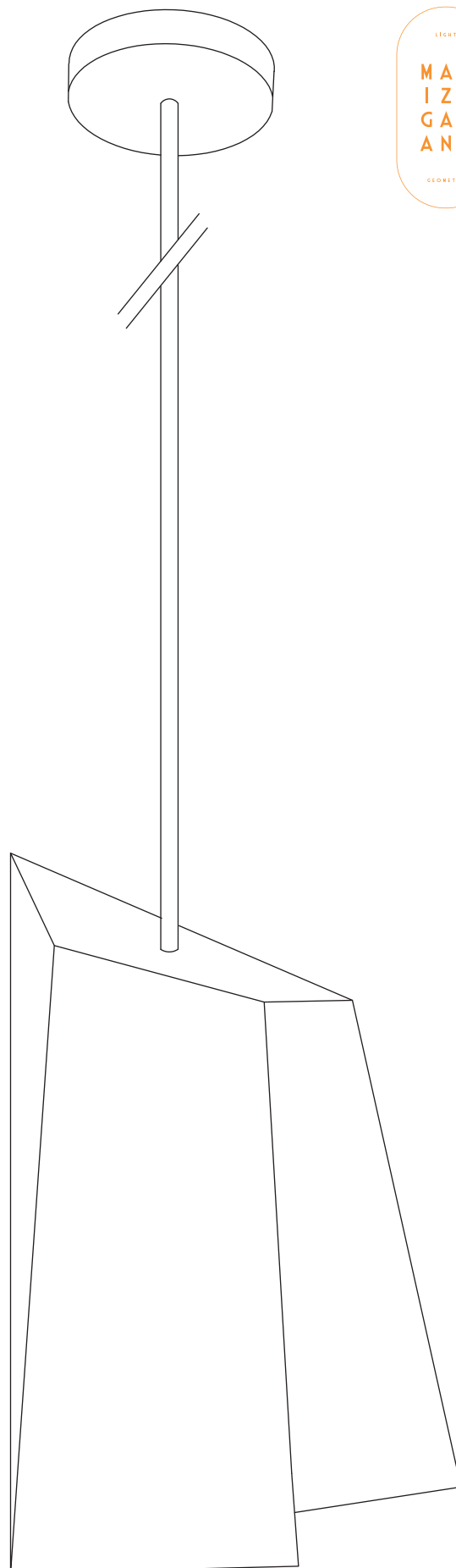
2x



1x



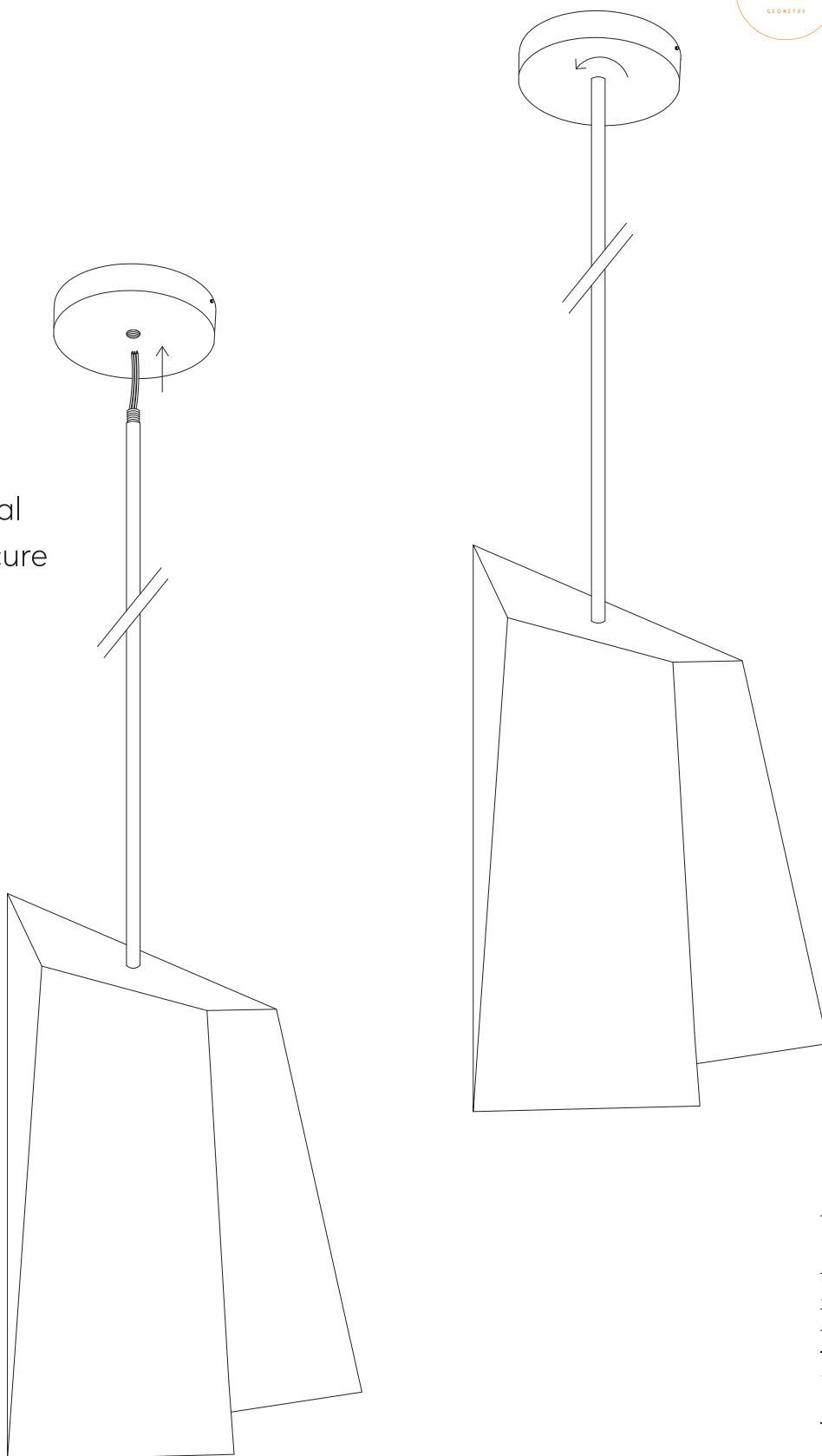
1x set



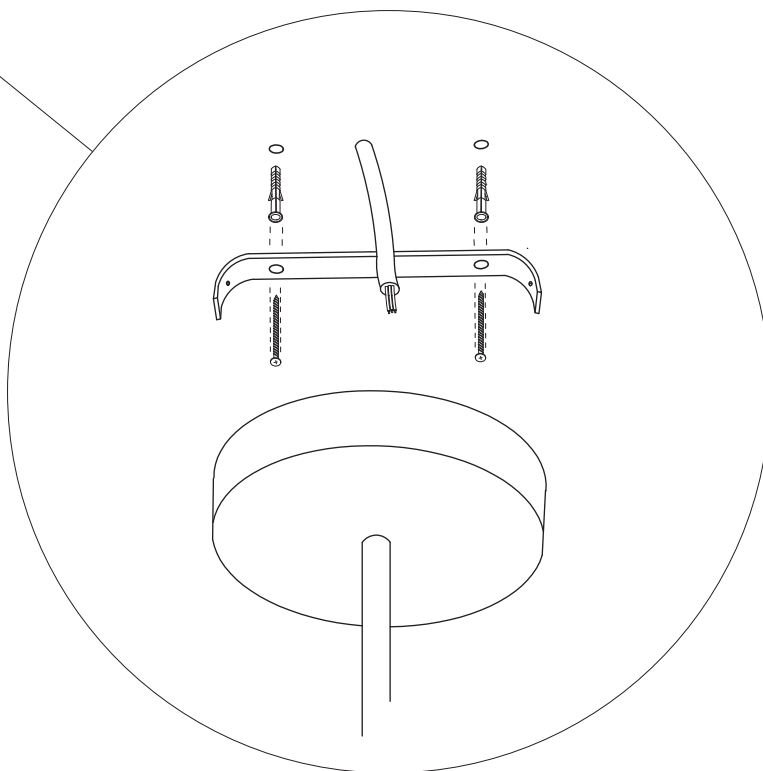
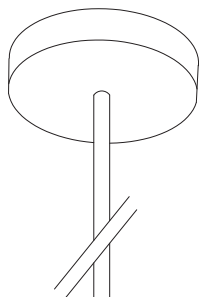
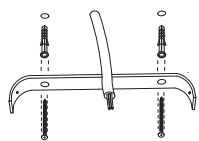
meteoroid *rod*  
mounting instructions  
for 240V

**1.**

Pass the cable through the ceiling rose. Screw the metal rod to the rose so as to secure the fixture.

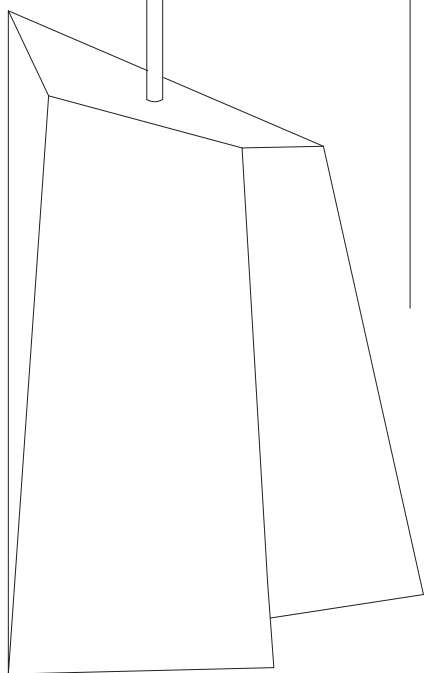


meteoroid *rod*  
mounting instructions  
for 240V



**2.**

Fix the bracket up at the ceiling.

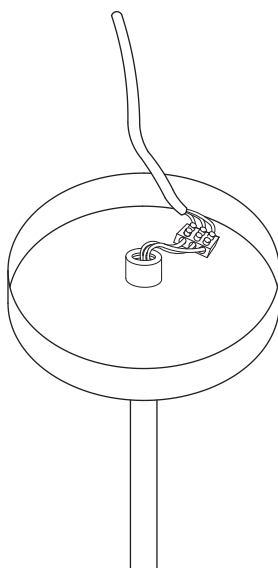


meteoroid *rod*  
mounting instructions  
for 240V



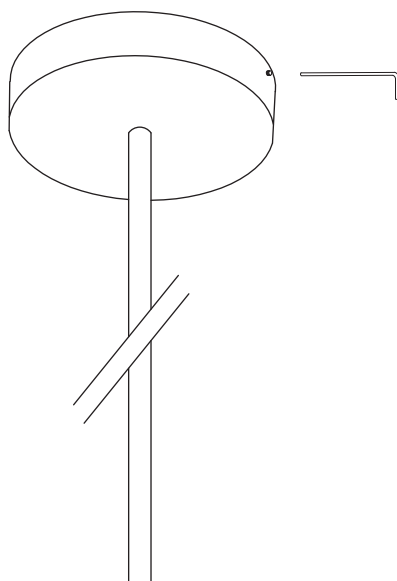
**3.**

Pass the cable at the terminal block.



**4.**

Adjust the ceiling rose at the metal bracket by using the hex (allen) key.

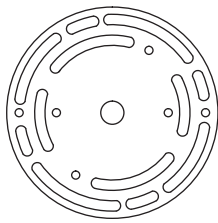


meteoroid *rod*  
mounting instructions  
for 120V



# PARTS INCLUDED

---



Universal plate  
suitable for 4" (inches)  
junction box

1x



1x



2x



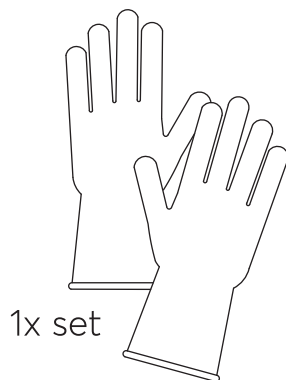
2x



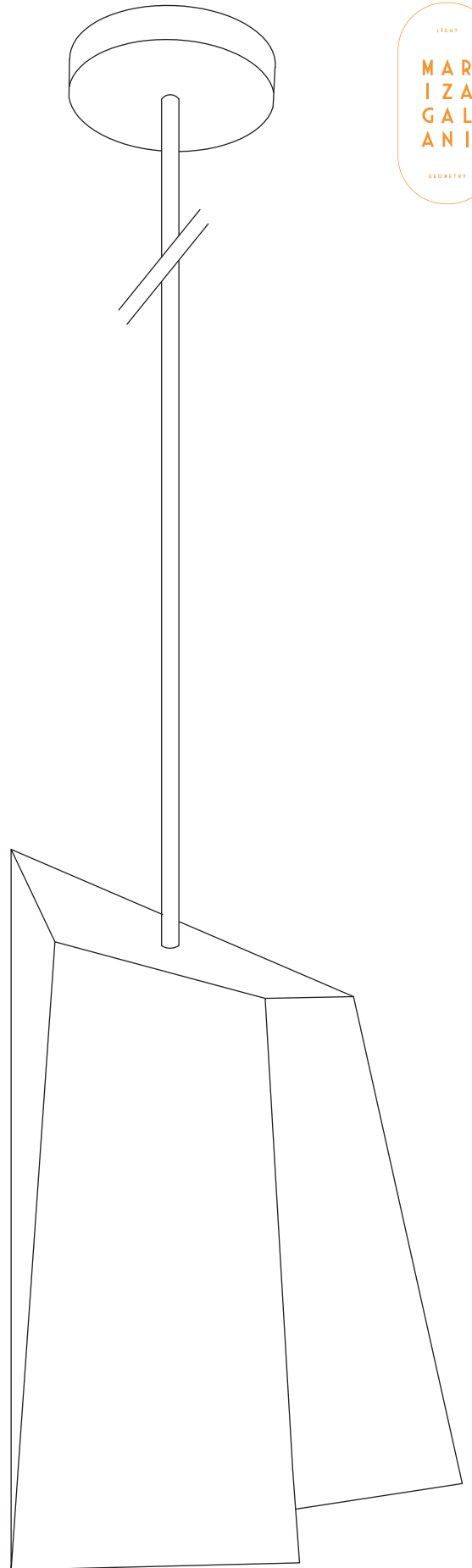
2x



1x



1x set



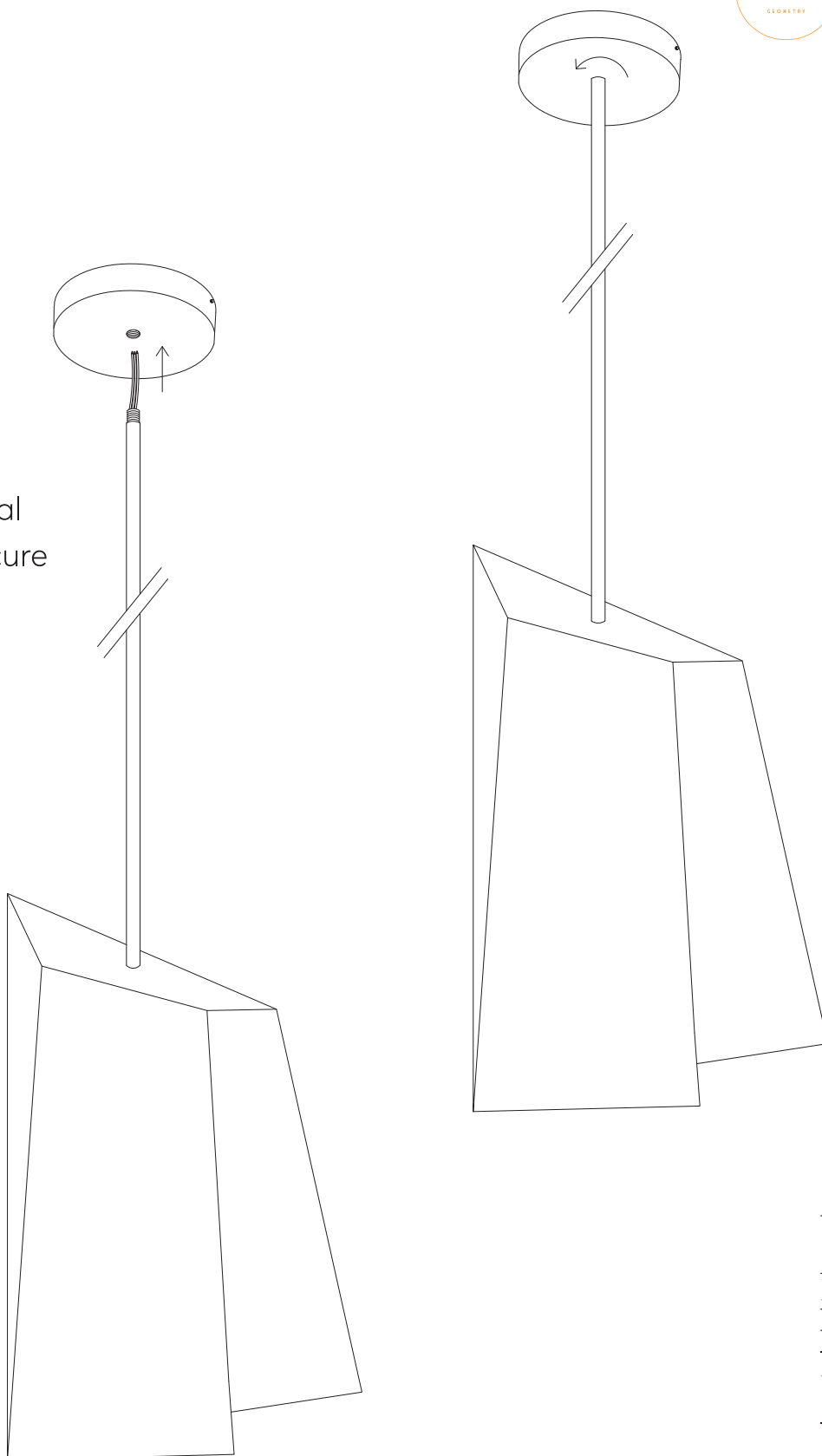


# meteoroid rod mounting instructions for 120V



## 1.

Pass the cable through the ceiling rose. Screw the metal rod to the rose so as to secure the fixture.

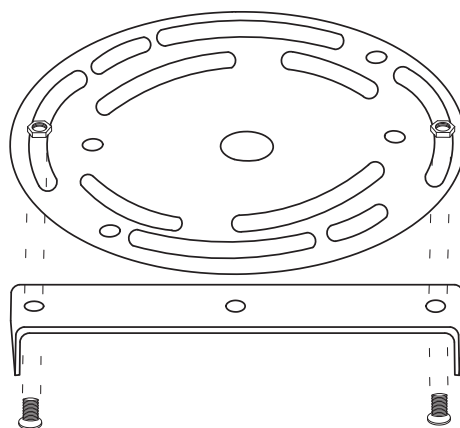


# meteoroid *rod* mounting instructions for 120V



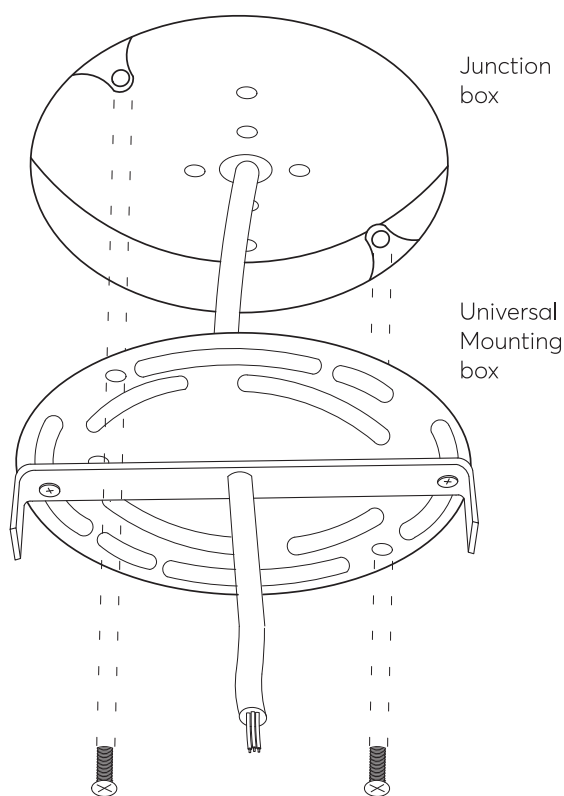
## 2.

Fix the bracket to the universal plate using the two screws and the nut bolts regarding the luminaire's direction.



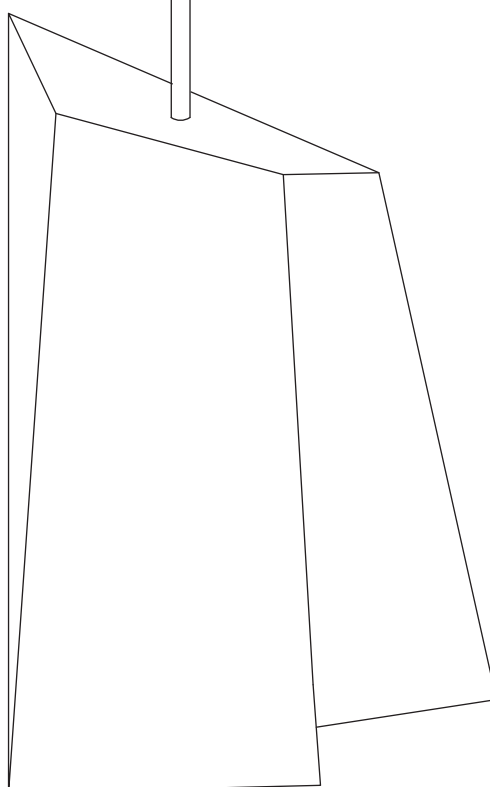
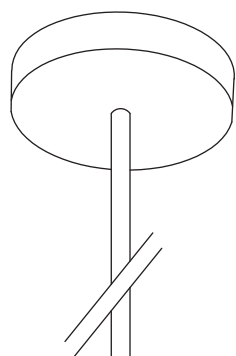
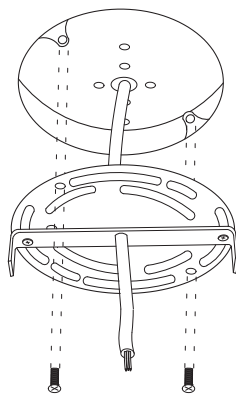
## 3.

Pass the cable through the universal mounting plate and then through the central hole of the metal bracket. Screw the universal plate at the junction box.



\*Make sure you use the gloves included in the package

meteoroid rod  
mounting instructions  
for 120V



Handcrafted in Greece

[www.marizagalani.com](http://www.marizagalani.com)



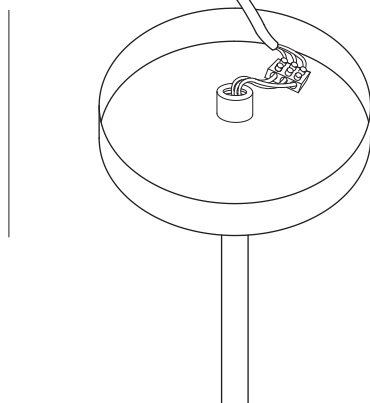
\*Make sure you use the gloves included in the package

meteoroid *rod*  
mounting instructions  
for 120V



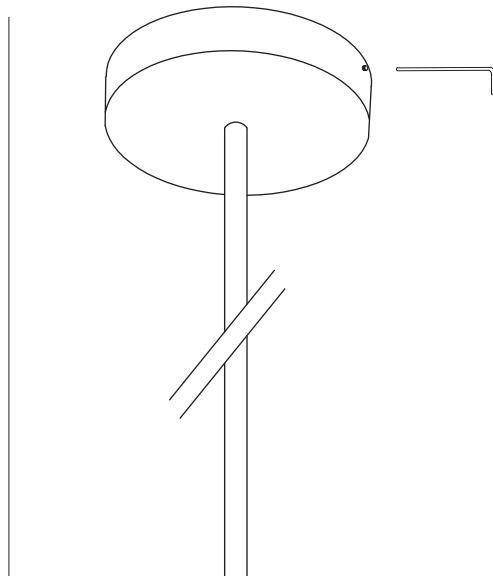
**4.**

Pass the cable at the terminal block.



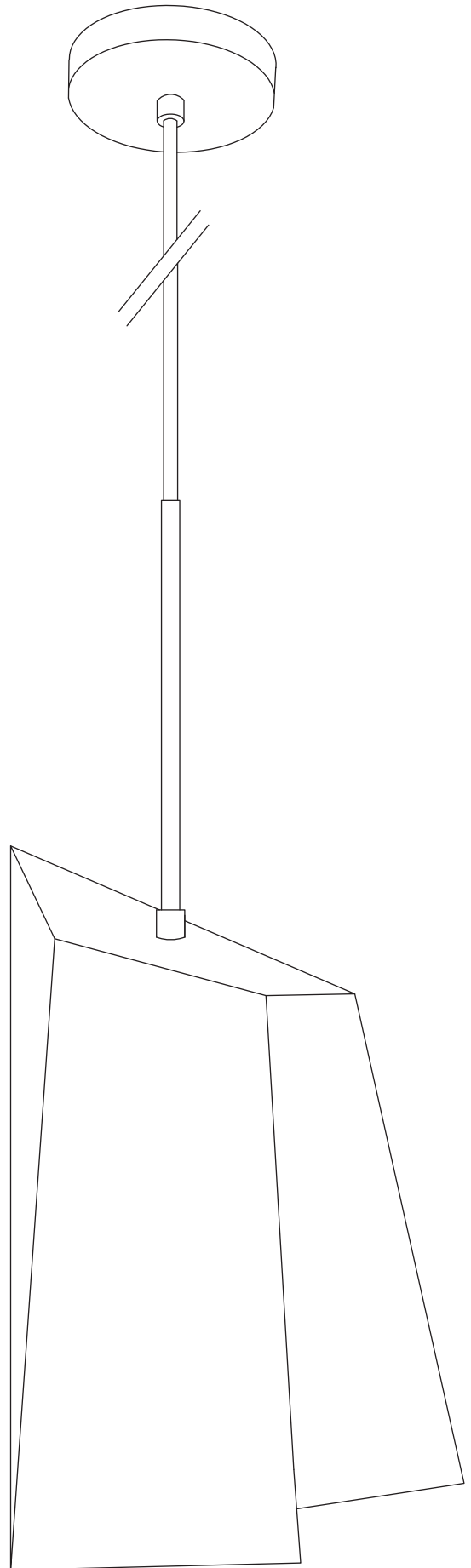
**5.**

Adjust the ceiling rose at the metal bracket by using the hex (allen) key.



# meteoroid cable

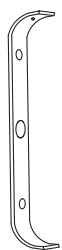
MG7839 / MG7843 / MG7847



meteoroid cable  
mounting instructions  
for 240V



# PARTS INCLUDED



1x



2x



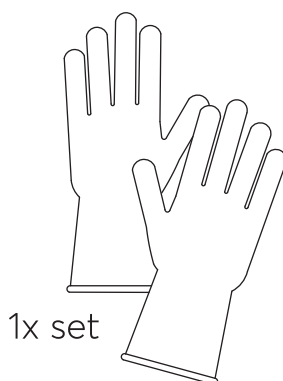
2x



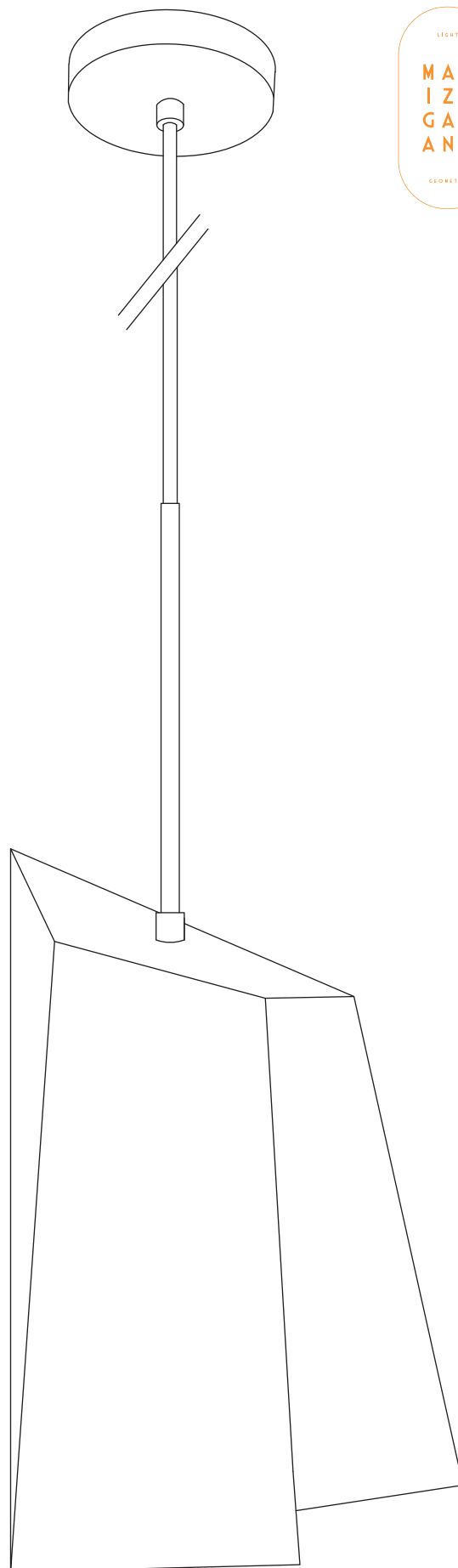
2x



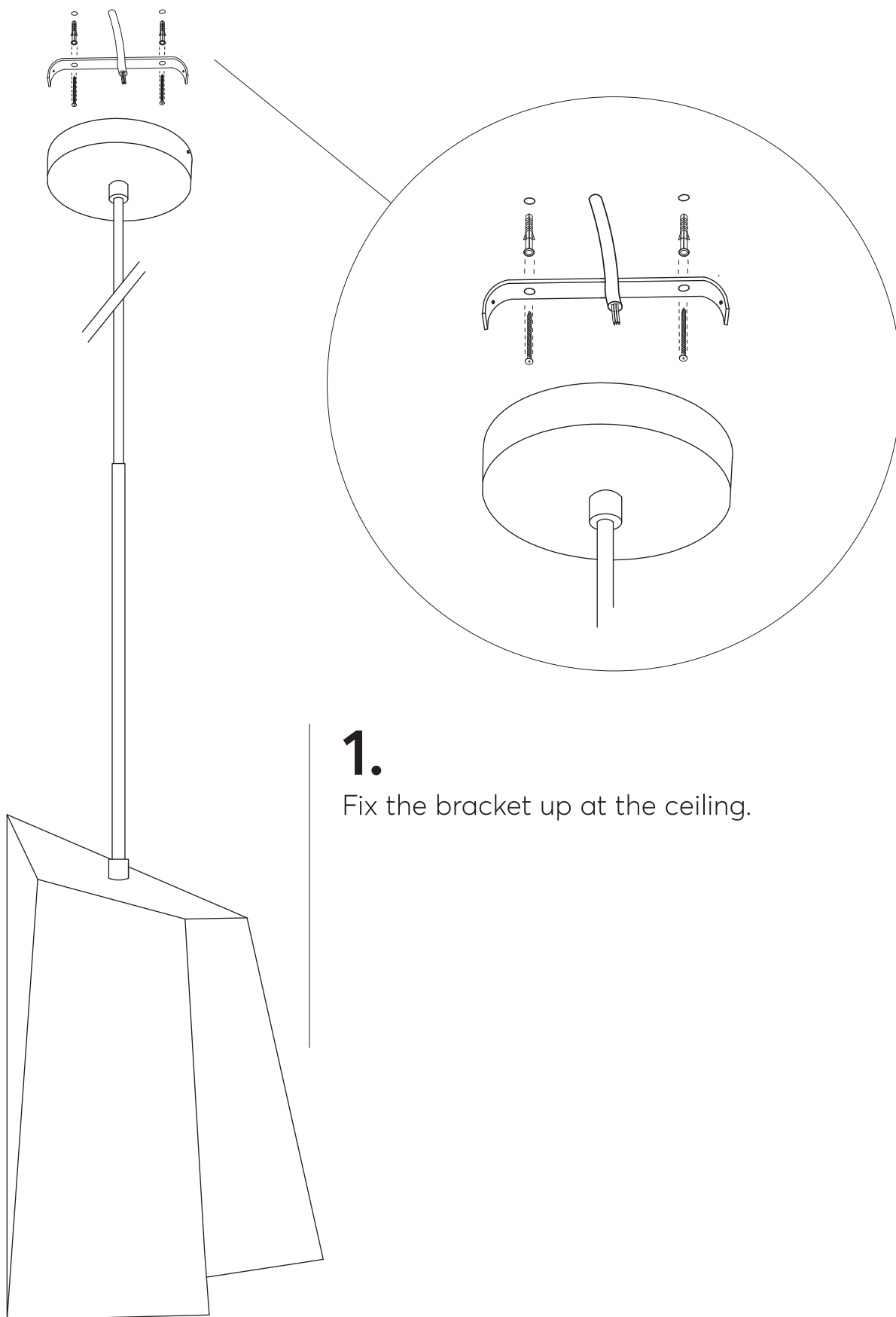
1x



1x set



meteoroid cable  
mounting instructions  
for 240V



- 1.** Fix the bracket up at the ceiling.

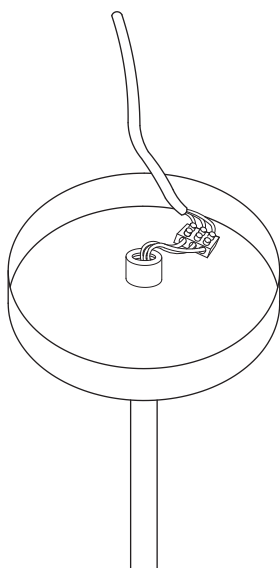


meteoroid *cable*  
mounting instructions  
for 240V



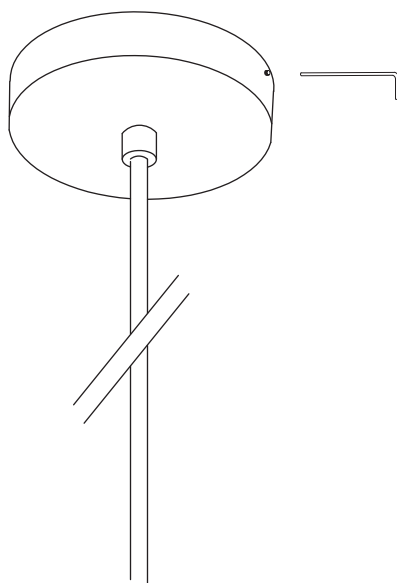
**2.**

Pass the cable at the terminal block.



**3.**

Adjust the ceiling rose at the metal bracket by using the hex (allen) key.

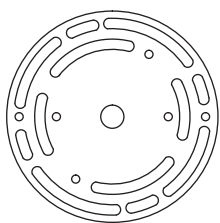




meteoroid cable  
mounting instructions  
for 120V



# PARTS INCLUDED



Universal plate suitable for 4" (inches) junction box

1x



1x



2x



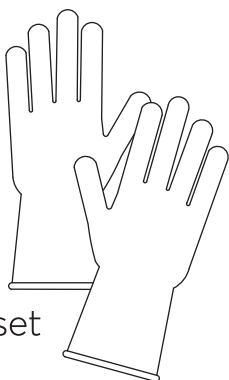
2x



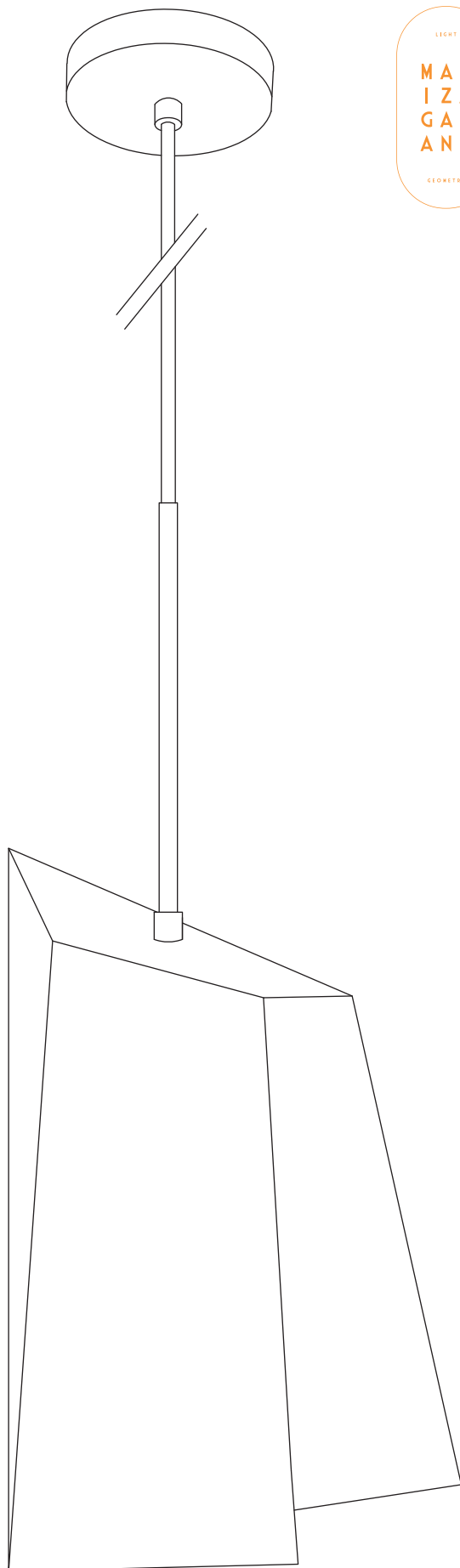
2x



1x



1x set

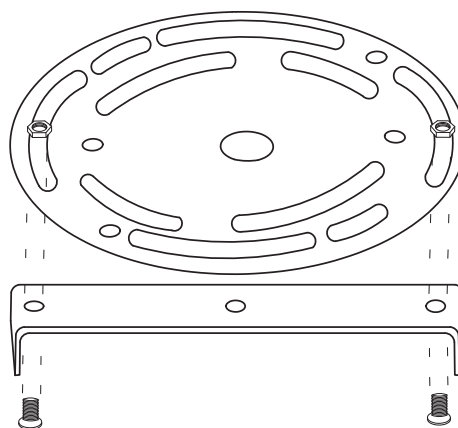


# meteoroid cable mounting instructions for 120V



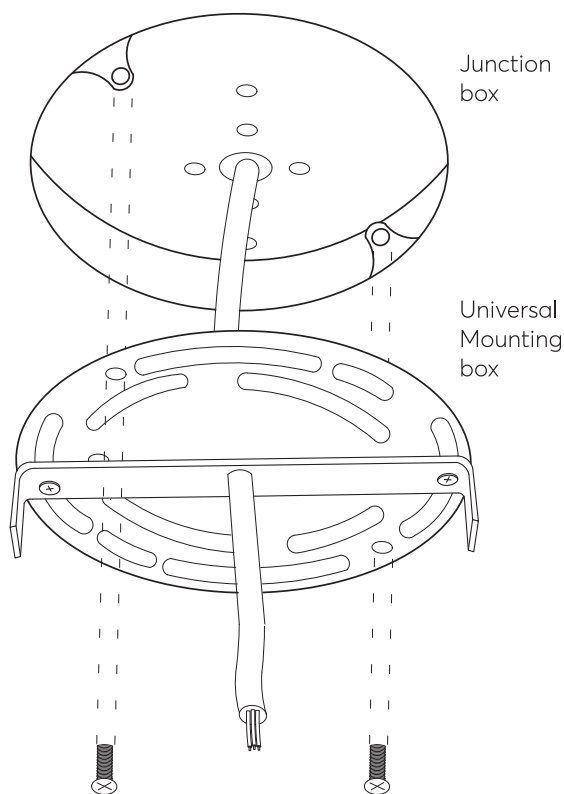
## 1.

Fix the bracket to the universal plate using the two screws and the nut bolts regarding the luminaire's direction.



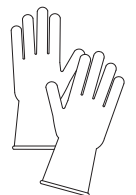
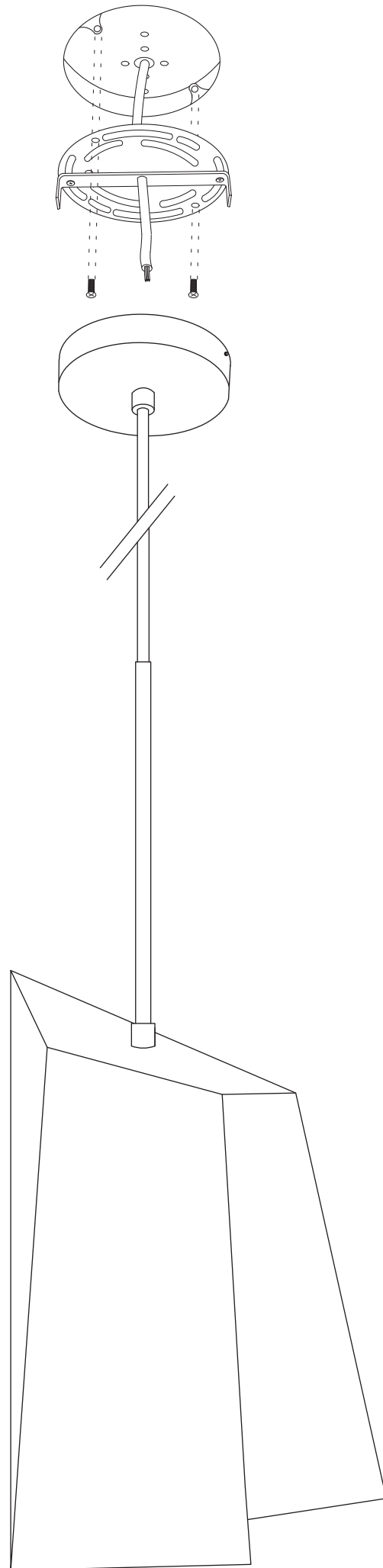
## 2.

Pass the cable through the universal mounting plate and then through the central hole of the metal bracket. Screw the universal plate at the junction box.



\*Make sure you use the gloves included in the package

meteoroid cable  
mounting instructions  
for 120V



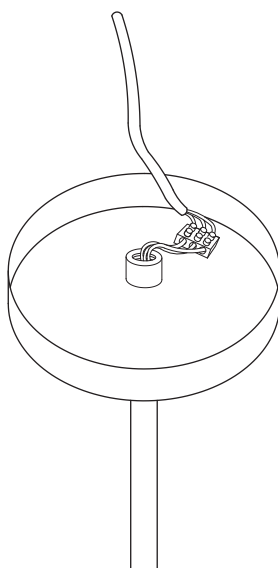
\*Make sure you use the gloves included in the package

meteoroid *cable*  
mounting instructions  
for 120V



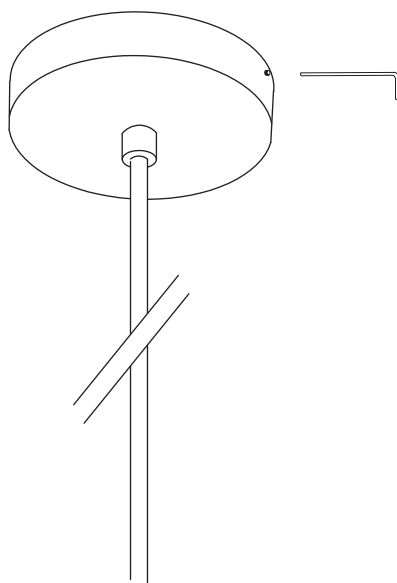
**3.**

Pass the cable at the terminal block.



**4.**

Adjust the ceiling rose at the metal bracket by using the hex (allen) key.





*Mariza Galani, inspired by her Greek roots, creates symbolic lighting elements based on geometry and nature that guide people to experience the sense of wholeness and spiritual uplift. Her goal is to generate lightness and not just light through her creations. All of our fixtures are handcrafted in Greece. Each*

*piece is unique and every effort is made to ensure that the final creation will match the product specifications. Slight differences in dimensions, finishes and colors though may be expected and are considered as part of each fixture's uniqueness. All designs are protected under copyright law.*

---

Mariza Galani  
Armonias 6, Athens 19004  
sales@marizagalani.com

©2022 Mariza Galani.  
All rights reserved.

[www.marizagalani.com](http://www.marizagalani.com)