

acme

M A R I Z A G A L A N I

L I G H T G E O M E T R Y



acme

MOUNTING INSTRUCTIONS

Handcrafted in Greece

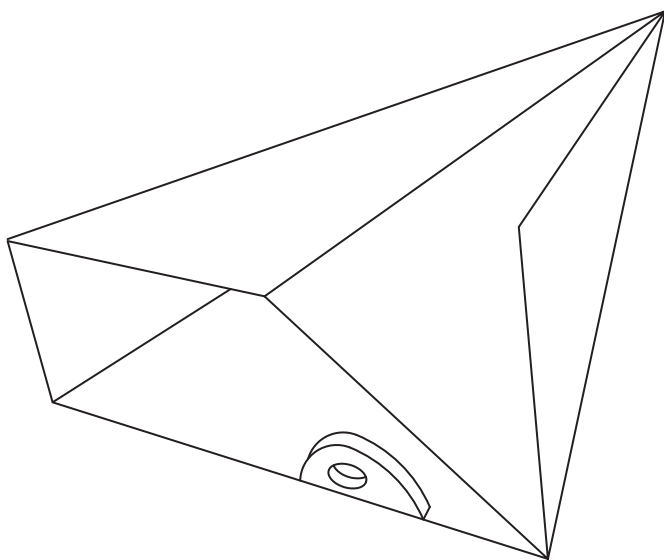


A polymorphic table light with intense acmes generates a diffused homogeneous lighting in space. Derived from the world of mathematics, Acme is a composition of both triangular and circular geometrical figures leading to a pyramid; the effect is a sense of superiority and confidence that spreads in the room.

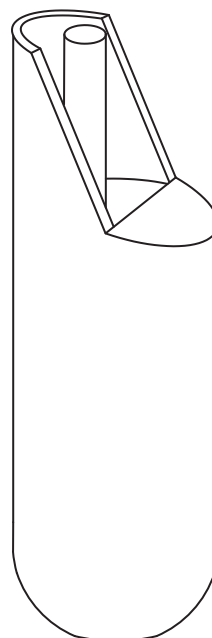
acme
mounting instructions



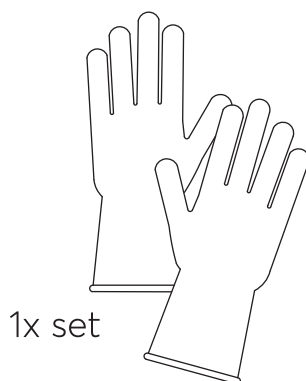
PARTS INCLUDED



1x



1x



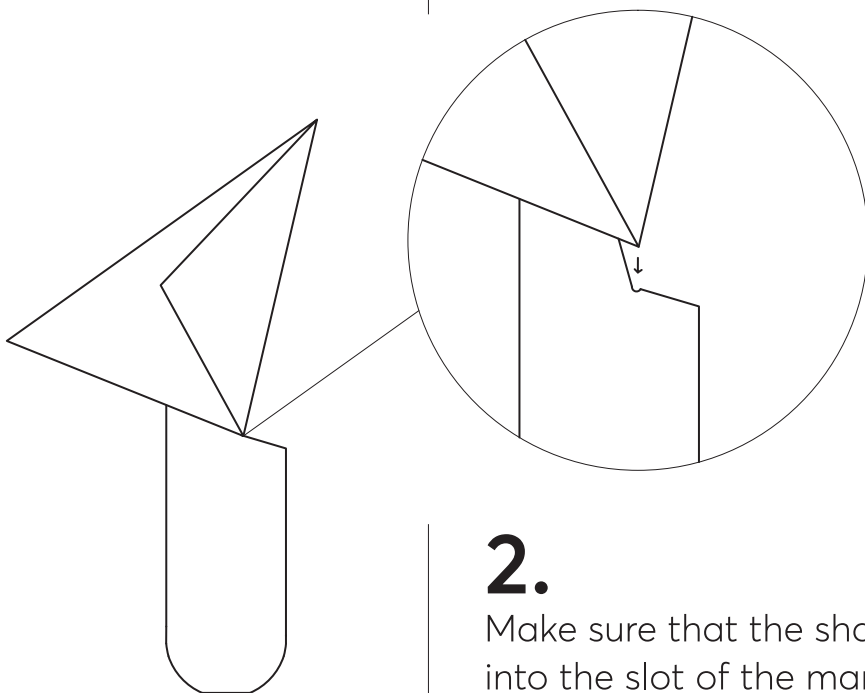
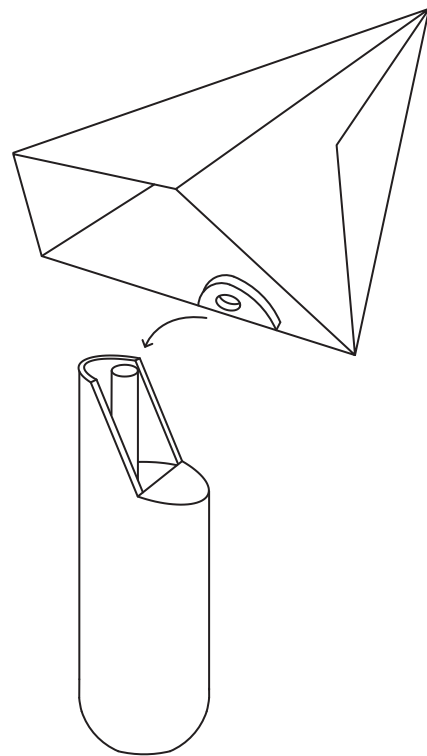
1x set

acme mounting instructions



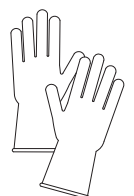
1.

Hold carefully the white shade and adjust the marble base into the lampholder hole.



2.

Make sure that the shade fits into the slot of the marble base.



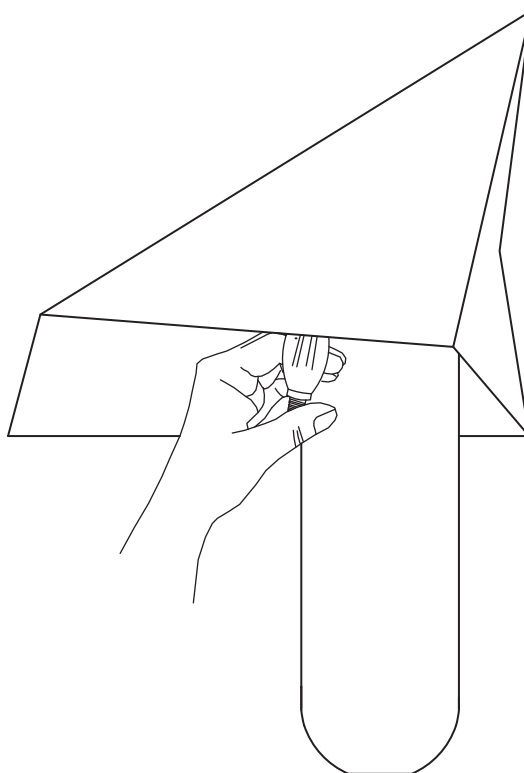
*Make sure you use the gloves included in the package

acme
mounting instructions



3.

Insert and screw the E12/E14 lamp into the lampsocket and then plug the fixture in.





Mariza Galani, inspired by her Greek roots, creates symbolic lighting elements based on geometry and nature that guide people to experience the sense of wholeness and spiritual uplift. Her goal is to generate lightness and not just light through her creations. All of our fixtures are handcrafted in Greece. Each

piece is unique and every effort is made to ensure that the final creation will match the product specifications. Slight differences in dimensions, finishes and colors though may be expected and are considered as part of each fixture's uniqueness. All designs are protected under copyright law.

Mariza Galani
Armonias 6, Athens 19004
sales@marizagalani.com

©2022 Mariza Galani.
All rights reserved.

www.marizagalani.com